

Project Name:		Approval:	
Location:		Date:	
Engineer:		Construction:	
Submitted to:		Unit #:	
Submitted by:		Drawing #:	
Reference:			

Indoor unit model	B-DVH12SG-0
Outdoor unit model	A-DVH12SG-0



PERFORMANCE DATA

Power supply	Ph-V-Hz	115V, 1Ph, 60Hz
Cooling		
Capacity	Btu/h	12000
Input	W	1020
Rated current	A	8.9
EER	Btu/w	10.5
SEER	Btu/w	19.0
Heating at 47		
Capacity	Btu/h	12000
Input	W	1026
Rated current	A	8.93
COP	W/W	3.43
HSPF4		9.5
HSPF5		7.8
Electrical		
MINIMUM CIRCUIT AMPACITY	A	15.0
MAX. FUSE	A	20.0
Connection wiring		16*4 AWG
Compressor		
Model		KSK103D33UEZ3
Type		Rotary
Brand		GMCC
Capacity	Btu/h	10577.2
Input	W	790
Rated current(RLA)	A	5.6
Locked rotor Amp(LRA)	A	-
Thermal protector		-
Thermal protector position		-
Refrigerant oil/oil charge	ml	ESTER OIL VG74 310 ±15 ml
SYSTEM DATA		
Design pressure	PSIG	550/340
Refrigerant type	oz	R410A/29.63
Refrigerant precharge	ft	25
Additional charge per ft.	oz	0.161
Liquid side/Gas side	mm(in)	Φ6.35/Φ12.7(1/4"/1/2")
Max. refrigerant pipe length	ft	82
Max. difference in level	ft.	33

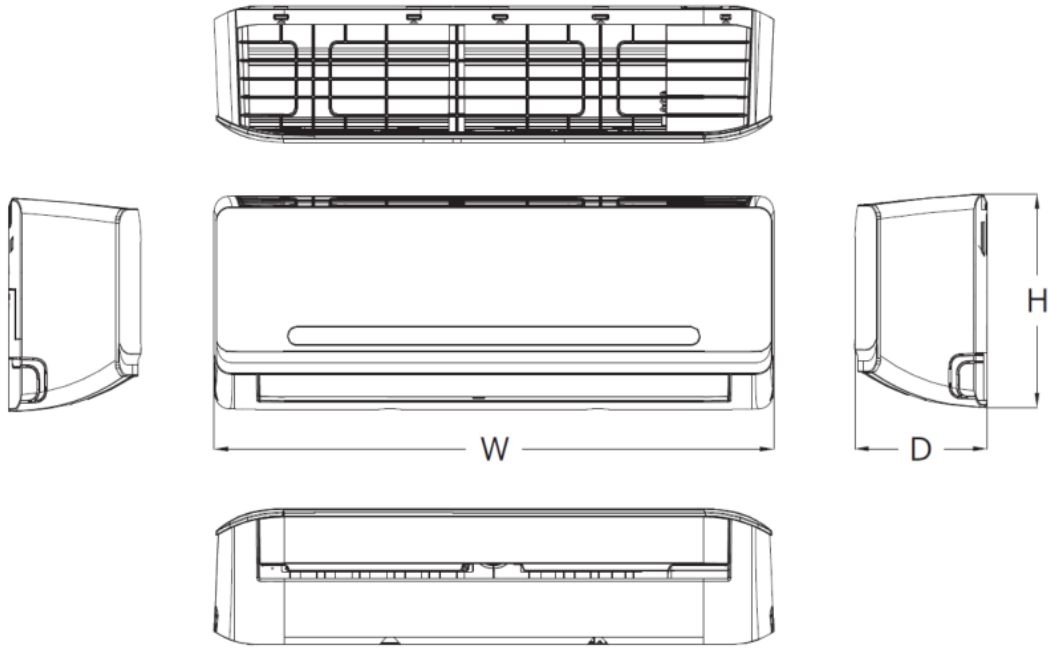
INDOOR UNIT DATA

Indoor fan motor		
Model		B-DVH12SG-0
Brand		Weiling
Input		35.2
RLA	A	0.712
LRA	A	-
Winding Resistance	Ω	-
Capacitor	uF	-
Speed(Hi/Mi/Lo)	r/min	1100/850/750
Air flow & Noise level		
Indoor air flow (Hi/Lo)	CFM	294/212/171
Indoor noise level (Hi/Lo)	dB(A)	38/30/28
Indoor unit		
Dimension(W*D*H)	inch	31.57x7.44x11.69
Packing (W*D*H)	inch	34.45x11.22x14.76
Net/Gross weight	lbs.	18.96/24.91

OUTDOOR UNIT DATA

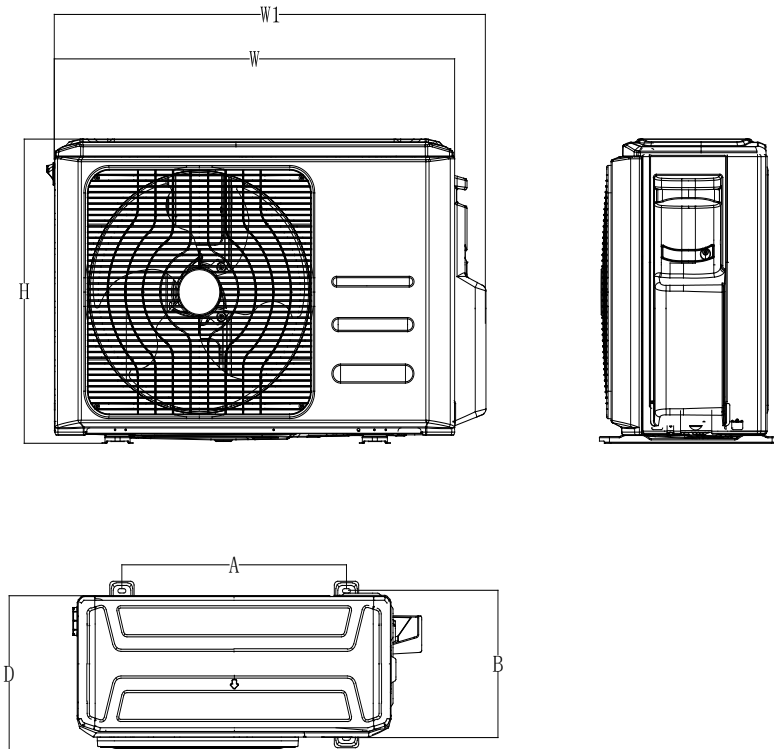
Outdoor fan motor		
Model		A-DVH12SG-0
Brand		Weiling
Input		58
RLA	A	0.39
LRA	A	-
Winding Resistance	Ω	77.3
Capacitor	uF	-
Speed	r/min	800/650
Air flow & Noise level		
Outdoor air flow	CFM	1176.47
Outdoor noise level	dB(A)	55
Outdoor unit		
Dimension(W*D*H)	inch	31.50x13.11x21.81
Packing(W*D*H)	inch	36.22x15.35x24.21
Net/Gross weight	lbs.	66.8/71.87
Operation temperature		
Indoor(cooling/heating)	Deg. F	62~90/32~86
Outdoor(cooling/heating)	Deg. F	5~122/5~86
Application area	sq.ft	172-252

INDOOR UNIT



Model	W (inch)	D (inch)	inch				
B-DVH12SG-0	31.57	7.44	1.69				

OUTDOOR UNIT



Model	W (inch)	D (inch)	inch			W1 (inch)	A (inch)	B (inch)
A-DVH12SG-0	31.5	13.11	1.81			34.25	20.24	13.39